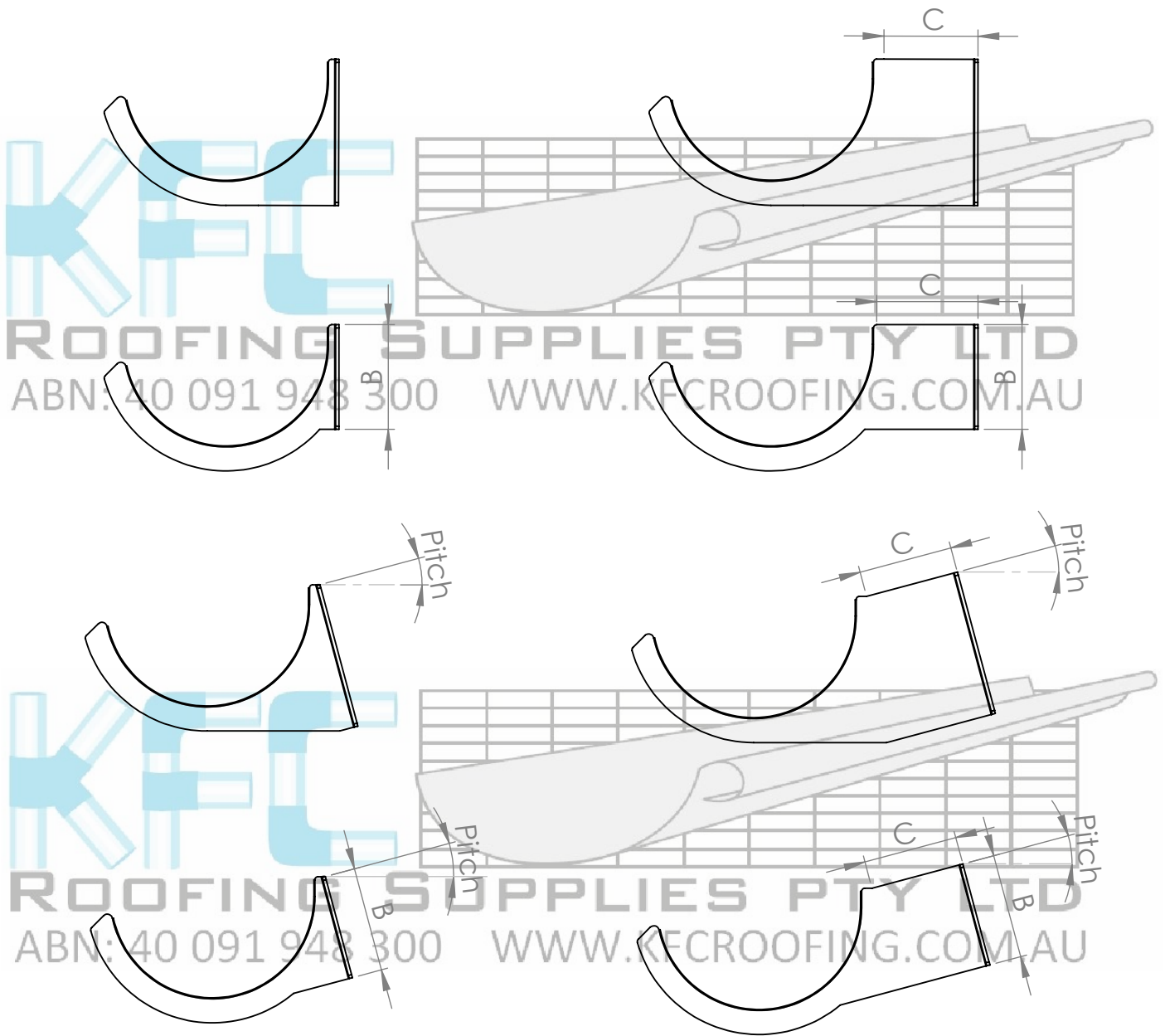


KFC Roofing Supplies A4 Bracket Order Form



Size	(B) Height	(C) Stand Off	Pitch	Quantity
100	100*			
150	112*			
200	140*			
250	152*			
300	195*			
350	220*			
400	240*			

* Standard backplate height. Specify custom height if required.